

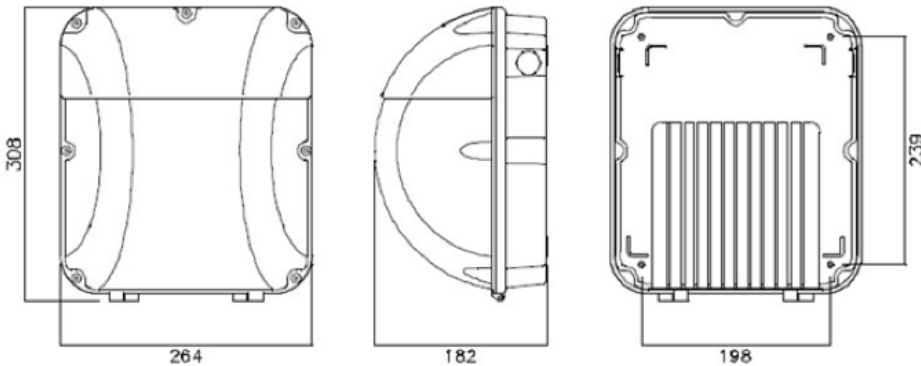
Product Description

- Cree XBD LED chip with Mean Well Driver
- Replacing 50-70W halogen lamps
- Saves at least 80% energy with AC90-305V AC input voltage
- 50,000hrs long lifetime, last 20 times longer than halogen lamp
- Extremely even light distribution
- Limited 7 years warranty (find details on our website)
- cUL, CE listed, FCC, RoHS compliant
- Ideal use for indoor or outdoor lighting, gas station, waiting room, railway station, etc.



Optical Parameter

Product Dimension



Product Details

Ordering Code	Input Voltage(VAC)	Shell Material	Wattage (W)	CCT	Beam Angle	Lumens (lm)	Rated Life(hrs.)	CRI	Power Factor	Equivalency	Certificate
WC0509YX	90-305V	Aluminum& PC	50W	4000-7000	180	4500	50,000	75	0.9	120W	UL,CE,RoHS

Energy Efficiency

	Estimated Lighting Costs Using a Standard 120W Halogen Lamp	Estimated Lighting Costs Using a Yigeda 50W Wall Pack
Present Wattage	120W	50W
x Annual Operating Hours	3650 hrs	3650 hrs
	= 438,000 Watts per year	= 182,500 Watts per year
÷ 1,000	= 438 kWh per year	= 182.5 kWh per year
x kWh rate (\$0.10)	= \$43.8 per year	= \$18.25 per year
x 100 lamps per space	= \$4,380 annual energy cost per space	= \$1,825 annual energy cost per space
Total Estimated Annual Energy Cost Saving Per Year		= \$2,555

This energy saving example shows an application of 100 lamps in a space currently using a 120W Halogen Lamp and Yigeda LED 50W AR111, operating 3,650 hours per year (10 hours per day) at a cost of \$0.10 per kWh.